

INSTALLATION GUIDE

MASTER SERIES™
1.5" MECHANICAL SEAM



The Ultimate Metal Roofing Panels
Independently Inspected for Unmatched Quality and Durability



**Underwriters
Laboratories**



We have our own Miami-Dade County Product Approvals and Florida Product Approvals. We're certified and in good standing with UL (Underwriters Laboratories) and Intertek for quality assurance. Our steel is 100% verifiably sourced and made in the USA. We're members of the FRSA (Florida Roofing and Sheet Metal Contractors Association), RCASF (Roofing Contractors Association of South Florida), and the FMA (Fabricators and Manufacturers Association).



305-261-9290



info@metalmastershop.com



www.MetalMasterShop.com



Integrity Guarantee



Proudly made in the USA with 100% US steel.



Authentic 50-year warranty on Kynar 500 coated Galvalume.



Authentic 40-year paint finish warranty.



Workmanship Guarantee: Your Panels will be manufactured to the highest quality and Metal Master Shop's top-quality process.

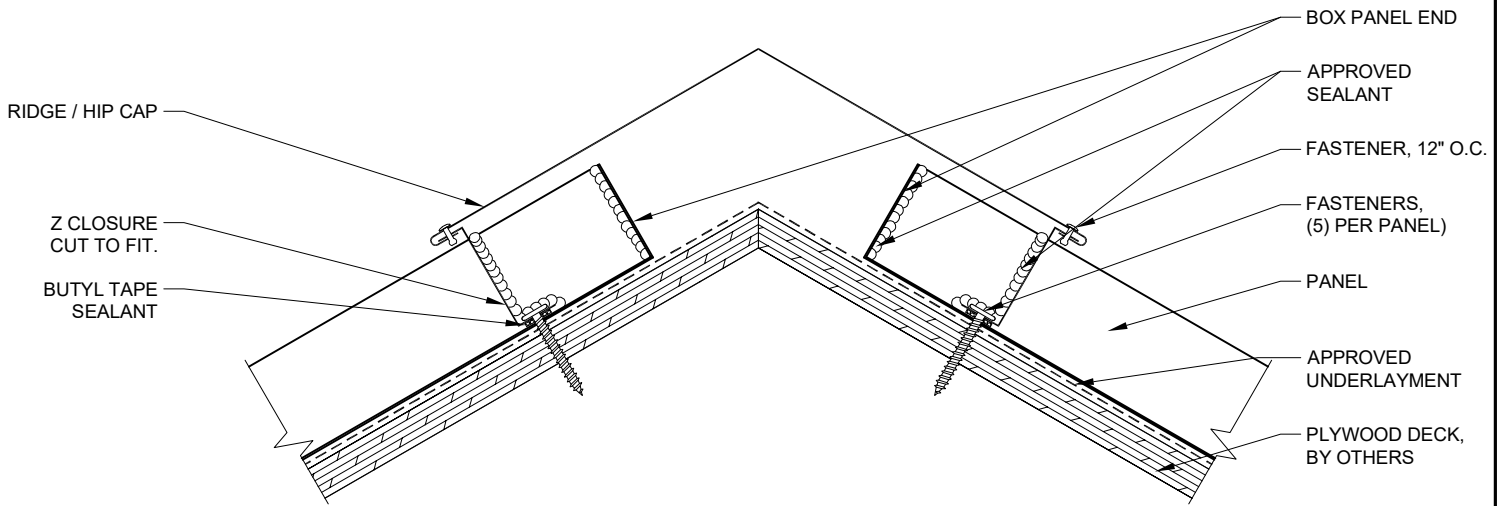


Trim and roof vents will be 100% hand-made in the USA and in our shop.



You'll receive the gauge/thickness of material promised to you.





South Florida's Only Full Service Metal Roofing Supply

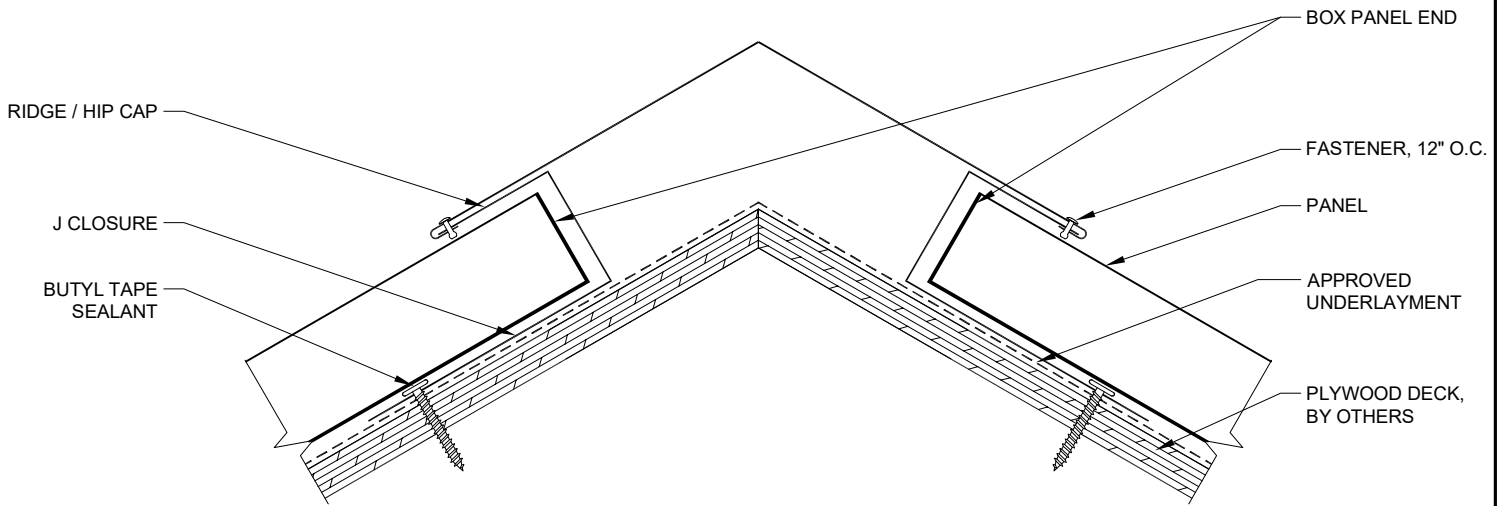
7484 NW 8th St., Miami, FL 33126
(305) 261-9290

STANDARD HIP/RIDGE DETAIL (HR-1)

THIS DRAWING IS THE PROPERTY OF METAL MASTER SHOP. THE USE OF THIS DRAWING WITHOUT THE EXPRESS PERMISSION OF METAL MASTER SHOP IS PROHIBITED.

MASTER SERIES™ 1.5 MECHANICAL SEAM

Issued:
OCT 2024



South Florida's Only Full Service Metal Roofing Supply

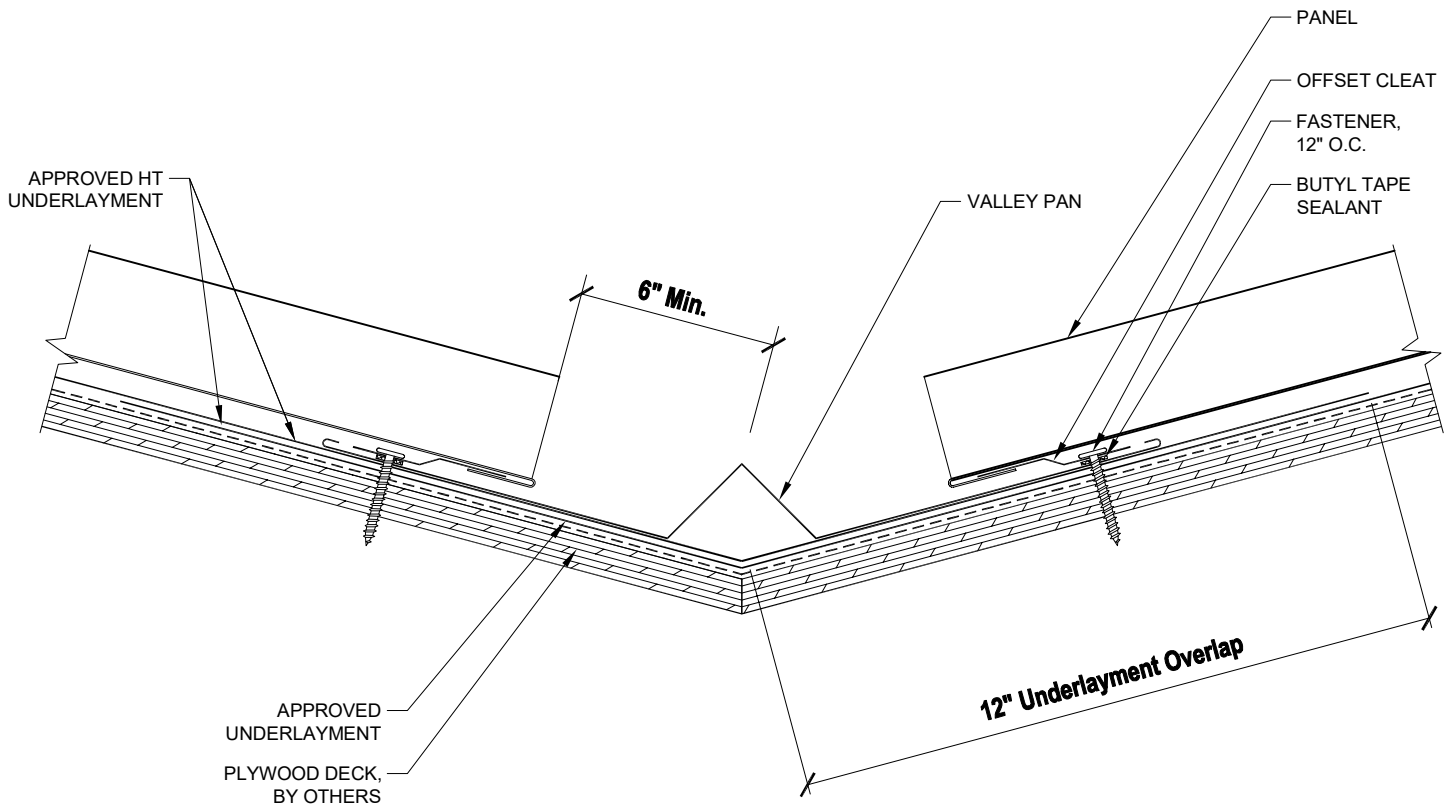
7484 NW 8th St., Miami, FL 33126
(305) 261-9290

ALT. HIP/RIDGE DETAIL (HR-2)

THIS DRAWING IS THE PROPERTY OF METAL MASTER SHOP. THE USE OF THIS DRAWING WITHOUT THE EXPRESS PERMISSION OF METAL MASTER SHOP IS PROHIBITED.

MASTER SERIES™ 1.5 MECHANICAL SEAM

Issued:
OCT 2024



South Florida's Only Full Service Metal Roofing Supply

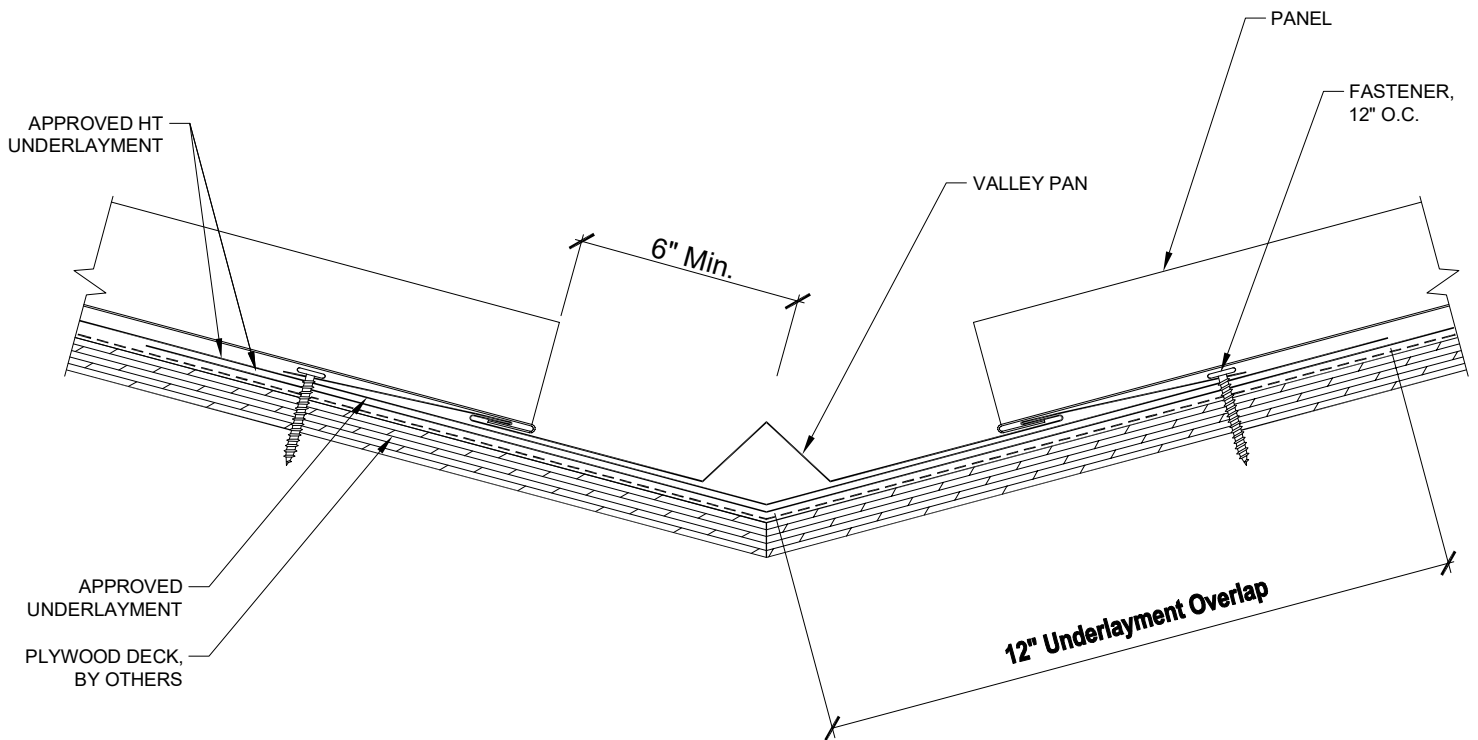
7484 NW 8th St., Miami, FL 33126
(305) 261-9290

ALT. VALLEY DETAIL (V-2)

THIS DRAWING IS THE PROPERTY OF METAL MASTER SHOP. THE USE OF THIS DRAWING WITHOUT THE EXPRESS PERMISSION OF METAL MASTER SHOP IS PROHIBITED.

MASTER SERIES™ 1.5 MECHANICAL SEAM

Issued:
OCT 2024



South Florida's Only Full Service Metal Roofing Supply

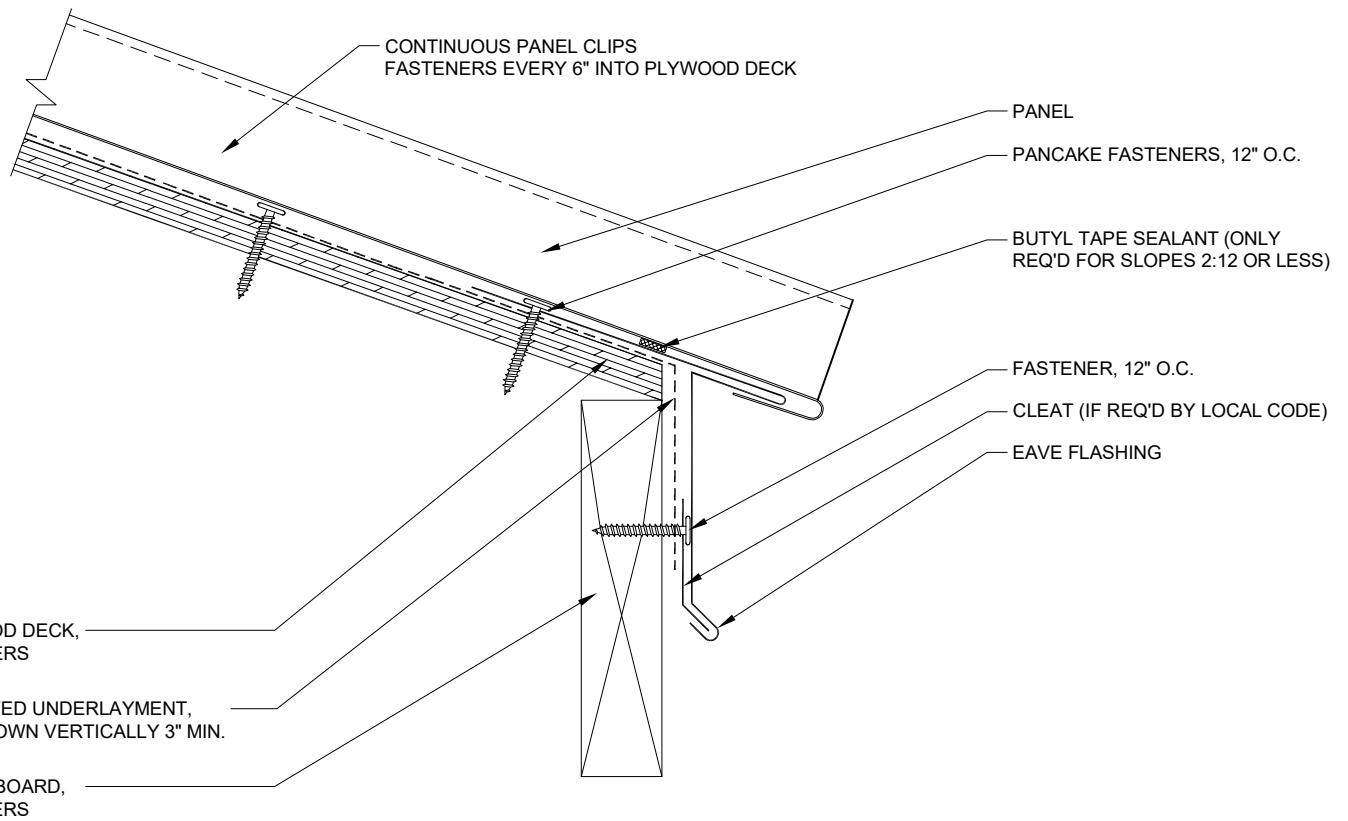
7484 NW 8th St., Miami, FL 33126
(305) 261-9290

STANDARD VALLEY DETAIL (V-1)

THIS DRAWING IS THE PROPERTY OF METAL MASTER SHOP. THE USE OF THIS DRAWING WITHOUT THE EXPRESS PERMISSION OF METAL MASTER SHOP IS PROHIBITED.

MASTER SERIES™ 1.5 MECHANICAL SEAM

Issued:
OCT 2024



South Florida's Only Full Service Metal Roofing Supply

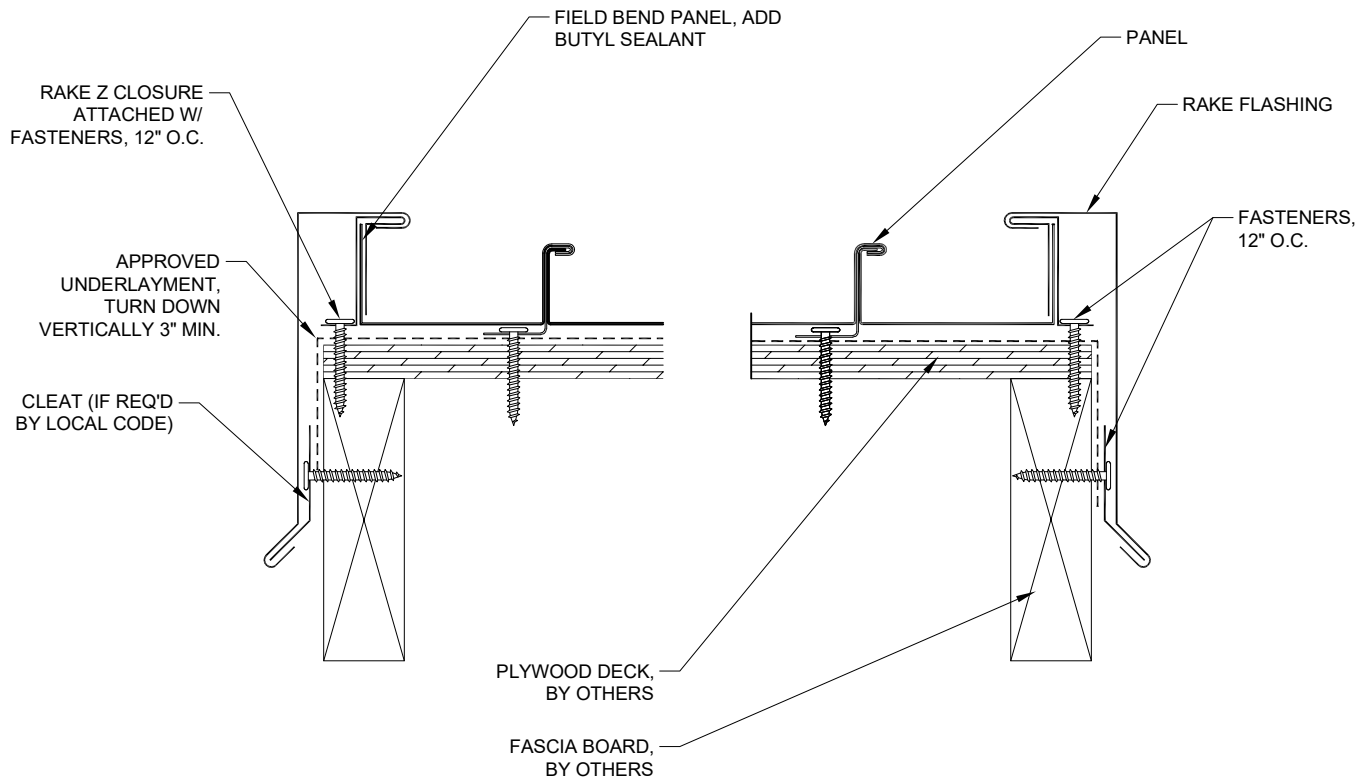
7484 NW 8th St., Miami, FL 33126
(305) 261-9290

STANDARD EAVE DETAIL (E-1)

THIS DRAWING IS THE
PROPERTY OF METAL MASTER
SHOP. THE USE OF THIS
DRAWING WITHOUT THE
EXPRESS PERMISSION OF
METAL MASTER SHOP IS
P R O H I B I T E D .

MASTER SERIES™ 1.5 MECHANICAL SEAM

Issued:
OCT 2024



South Florida's Only Full Service Metal Roofing Supply

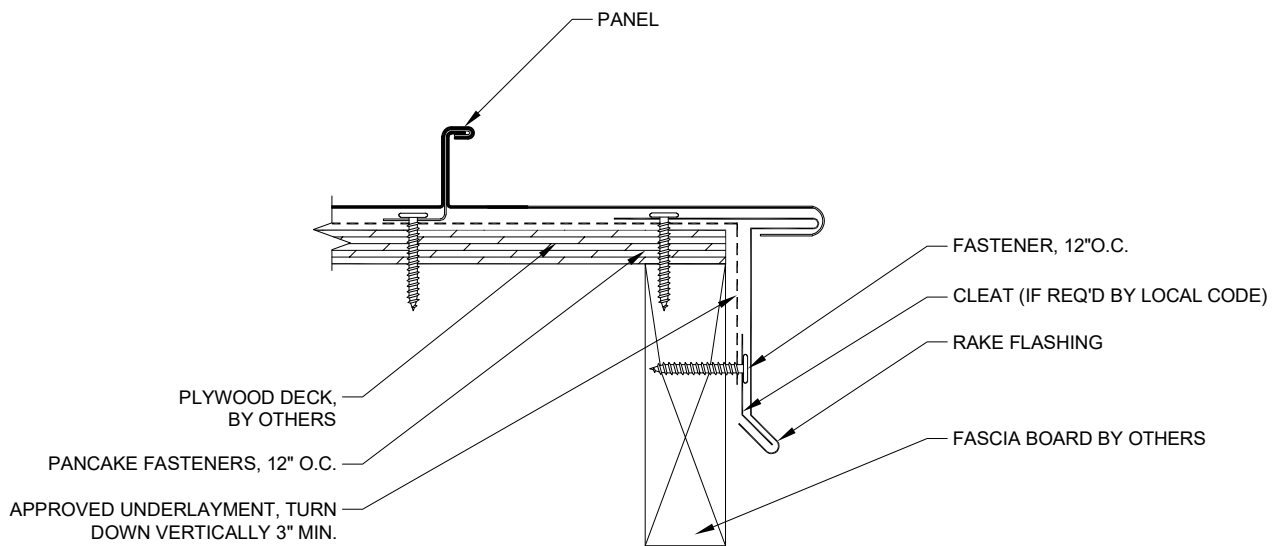
7484 NW 8th St., Miami, FL 33126
(305) 261-9290

ALT. GABLE DETAIL (G-2)

THIS DRAWING IS THE PROPERTY OF METAL MASTER SHOP. THE USE OF THIS DRAWING WITHOUT THE EXPRESS PERMISSION OF METAL MASTER SHOP IS PROHIBITED.

MASTER SERIES™ 1.5 MECHANICAL SEAM

Issued:
OCT 2024



South Florida's Only Full Service Metal Roofing Supply

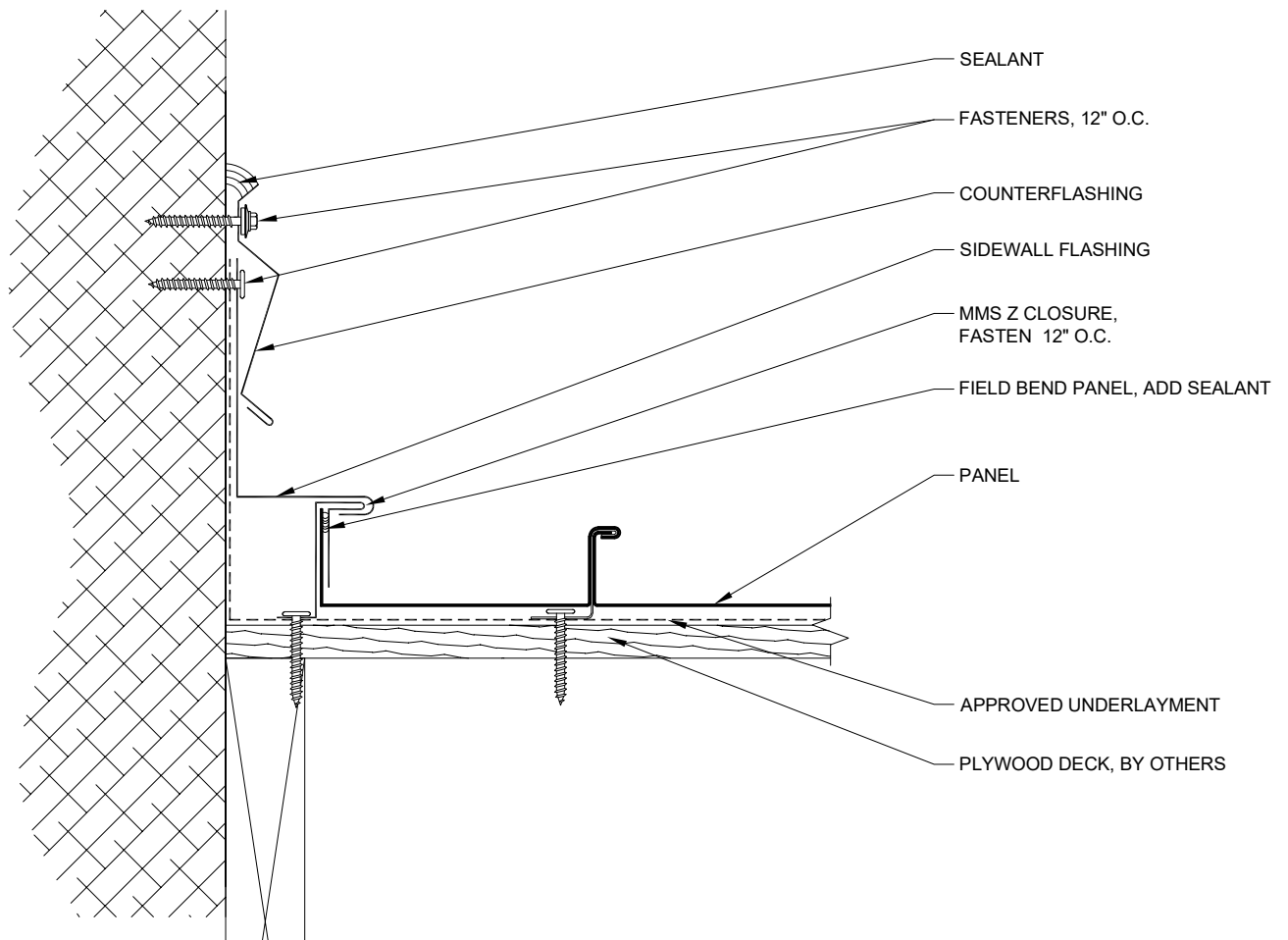
7484 NW 8th St., Miami, FL 33126
(305) 261-9290

STANDARD GABLE DETAIL (G-1)

THIS DRAWING IS THE PROPERTY OF METAL MASTER SHOP. THE USE OF THIS DRAWING WITHOUT THE EXPRESS PERMISSION OF METAL MASTER SHOP IS PROHIBITED.

MASTER SERIES™ 1.5 MECHANICAL SEAM

Issued:
OCT 2024



South Florida's Only Full Service Metal Roofing Supply

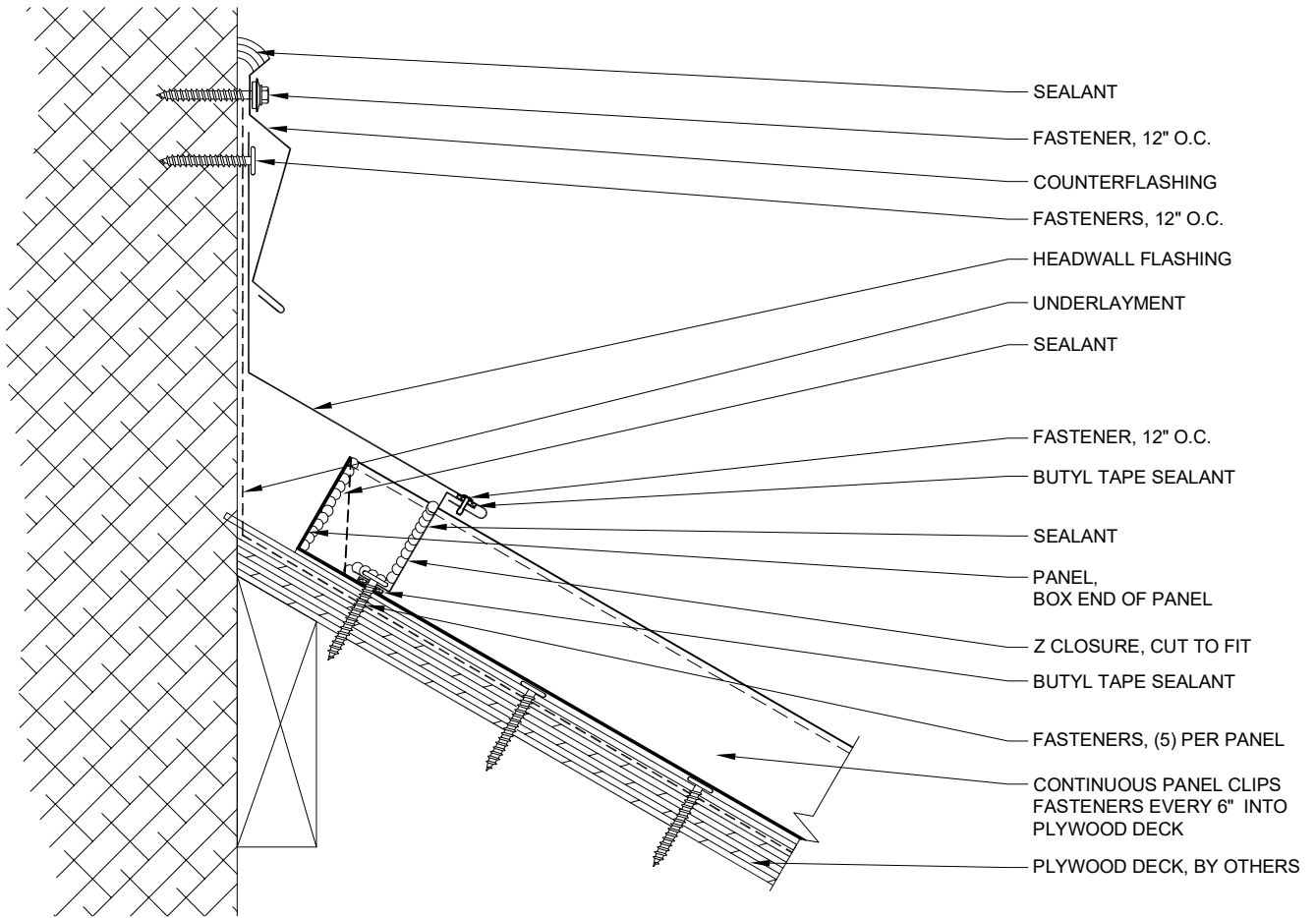
7484 NW 8th St., Miami, FL 33126
(305) 261-9290

GOOSENECK VENT DETAIL (GV-1)

THIS DRAWING IS THE PROPERTY OF METAL MASTER SHOP. THE USE OF THIS DRAWING WITHOUT THE EXPRESS PERMISSION OF METAL MASTER SHOP IS PROHIBITED.

MASTER SERIES™ 1.5 MECHANICAL SEAM

Issued:
OCT 2024



South Florida's Only Full Service Metal Roofing Supply

7484 NW 8th St., Miami, FL 33126
(305) 261-9290

HEADWALL DETAIL (HW-1)

THIS DRAWING IS THE PROPERTY OF METAL MASTER SHOP. THE USE OF THIS DRAWING WITHOUT THE EXPRESS PERMISSION OF METAL MASTER SHOP IS PROHIBITED.

MASTER SERIES™ 1.5 MECHANICAL SEAM

Issued:
OCT 2024